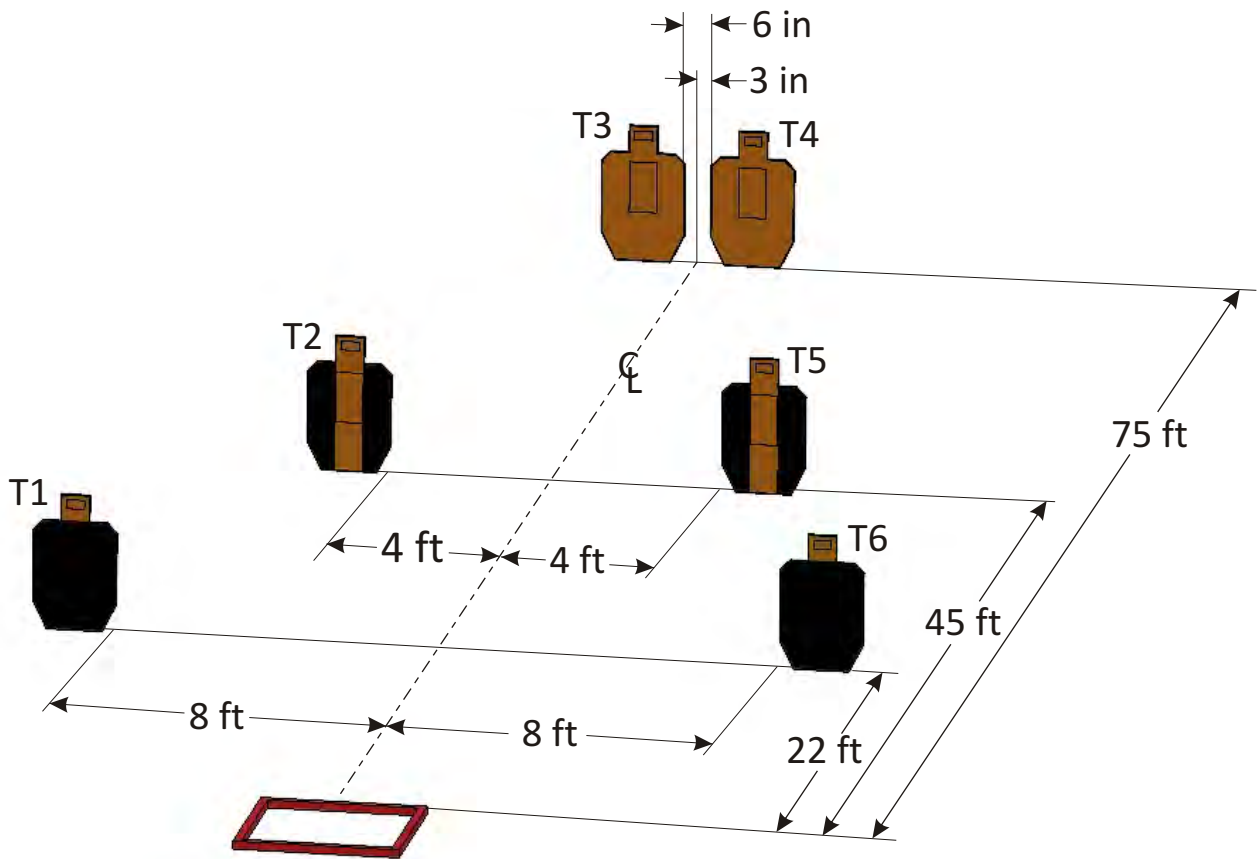




CM 18-02 What Is With You People

RULES: USPSA Handgun Competition Rules, current edition. Course Designer: Nationals Design Team

<p>STAGE PROCEDURE</p> <p>From within box engage T1-3 or T4-6 with 2 rounds each then perform a mandatory reload and engage remaining targets.</p>	<p>Scoring: Comstock, 12 rounds, 60 points</p> <p>Targets: 6 USPSA Targets</p> <p>Scored Hits: Best 2/paper</p> <p>Start - Stop: Audible - Last Shot</p> <p>Penalties: Per current edition of USPSA Handgun Competition Rules.</p>
---	---



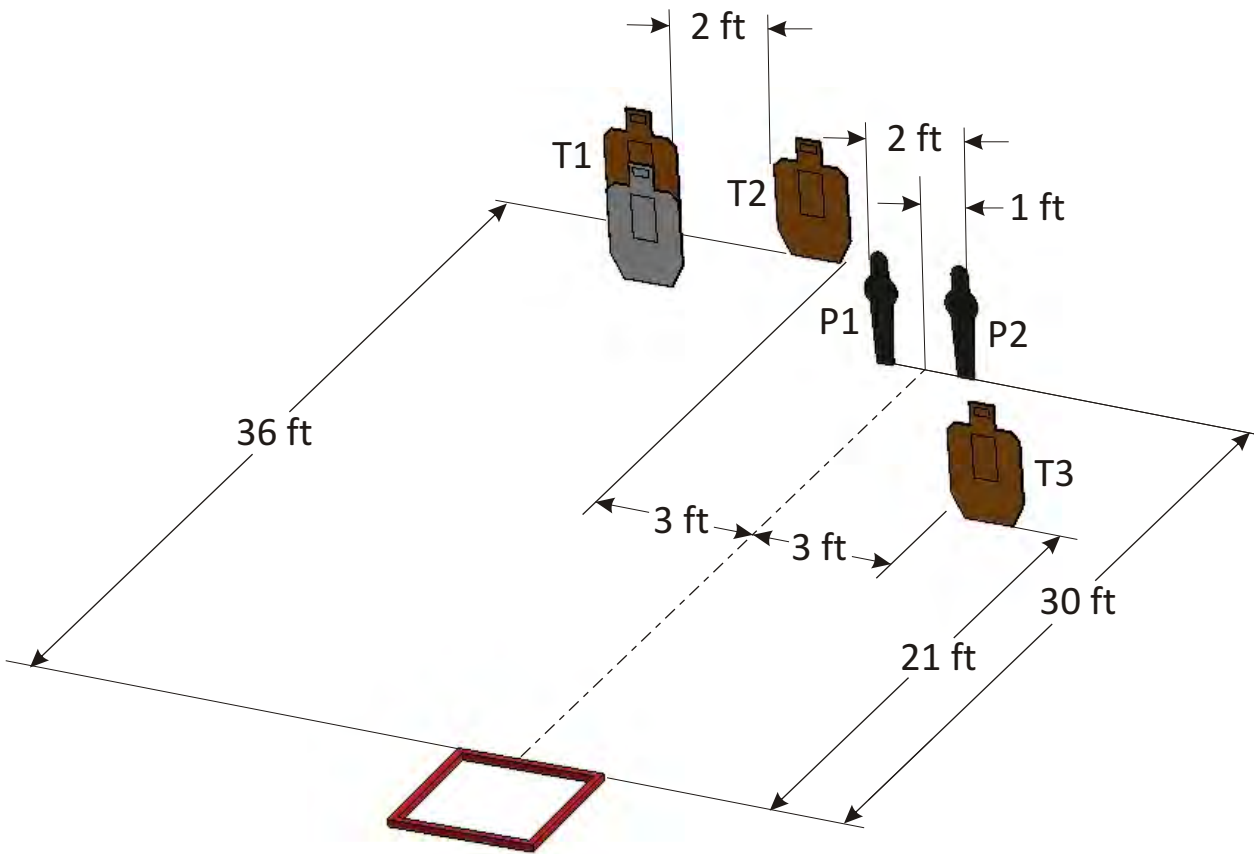
SETUP NOTES: Set targets 5 feet to top. Box is 3 feet by 3 feet. Middle targets T2 & T5 hardcover is set to both edges of A-zone. Front targets T1 & T6 are upper A-C zone only.



CM 18-07 Someone Is Always Willing To Pay

RULES: USPSA Handgun Competition Rules, current edition. Course Designer: Nationals Design Team

<p>STAGE PROCEDURE</p> <p>From within box engage T1-3 or P1-P2 then perform a mandatory reload and engage remaining targets.</p>	<p>Scoring: Comstock, 8 rounds, 40 points</p> <p>Targets: 3 USPSA Targets, 2 USPSA Mini Poppers.</p> <p>Scored Hits: Best 2/paper, steel must fall.</p> <p>Start - Stop: Audible - Last Shot</p> <p>Penalties: Per current edition of USPSA Handgun Competition Rules.</p>
---	---



SETUP NOTES: Set targets 5 feet to top. Box is 3 feet by 3 feet. Left edge of no-shoot is lined up with left edge of A-zone, top of no-shoot (not the scoring zone line) is lined up with bottom of target lettering.



CM 19-02

Hi-Way Robbery

RULES: USPSA Handgun Competition Rules, current edition. Course Designer: David Jenkins

STAGE PROCEDURE

Start Position: Standing in the shooting area, wrist below belt, heels touching rear fault-line

Gun Ready Condition: Loaded and holstered
On signal engage targets as available.

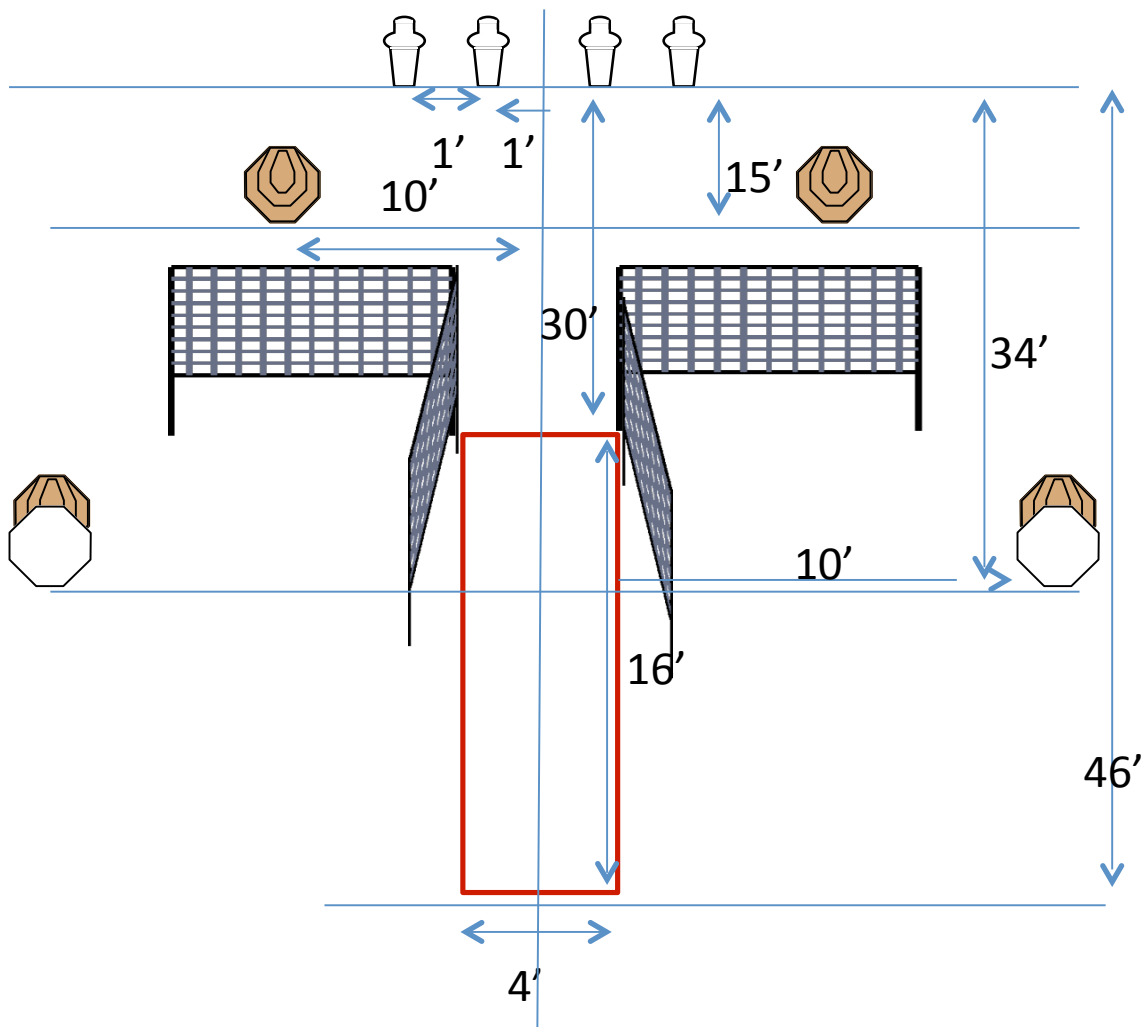
Scoring: Comstock, 12 Rounds

Targets: 4 IPSC, 4 USPSA Mini PP

Scored Hits: Best 2 Steel 1 A

Start - Stop: Audible - Last Shot

Penalties: Per current edition of USPSA Handgun Competition Rules.



SETUP NOTES: Targets are 5' to top of target, NS are "point to point" at the A zone letter. Targets are spaced edge to edge. Up-range walls placed right against faultline.

CM 19-03 Hi'er Love
 Course Designer: Jake from State Farm
 Rules: per USPSA Rules



START POSITION: Standing in the shooting area, wrist below belt, heels touching rear faultline

GUN READY CONDITION: Loaded and holstered

STAGE PROCEDURE: On signal engage targets as available.

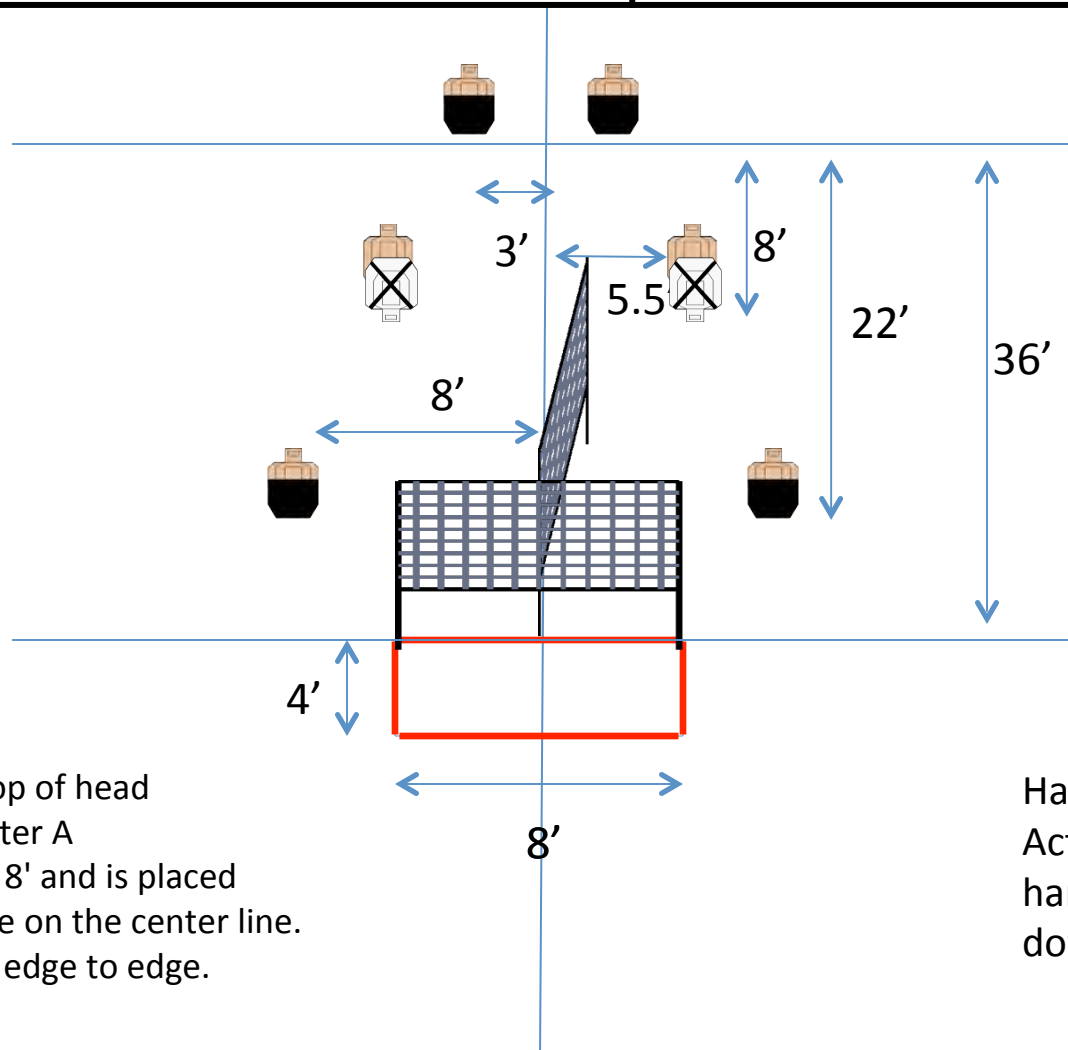
SCORING: Comstock 12 Rounds,

TARGETS: 6 USPSA

SCORED HITS: Best 2 Steel 1 A

START-STOP: Audible - Last shot

PENALTIES: Per USPSA Rules



Targets are 5' to top of head
 NS to bottom of letter A
 Down range wall is 8' and is placed
 straight down range on the center line.
 Targets are spaced edge to edge.

Hardcover targets are the
 Action Target "half"
 hardcover, which is 5"
 down from shoulder perf

CM 19-04 HI Cost of Living
 Course Designer: Jake from State Farm
 Rules: per USPSA Rules



START POSITION: Standing in the shooting area, wrist below belt, heels touching mark

GUN READY CONDITION: Loaded and holstered

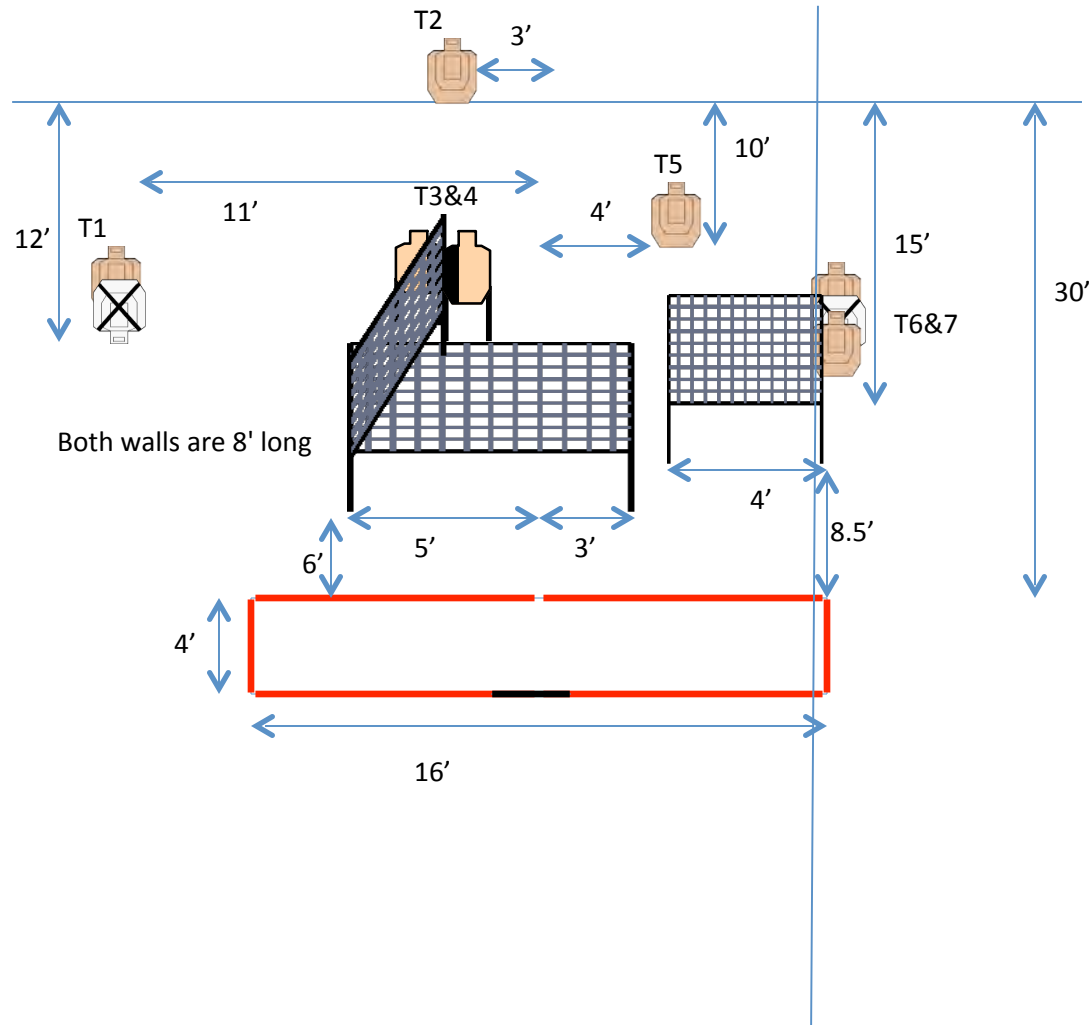
STAGE PROCEDURE: On signal engage targets as available.

SCORING: Comstock 14 Rounds,
TARGETS: 7 USPSA

SCORED HITS: Best 2 Steel 1 A

START-STOP: Audible - Last shot

PENALTIES: Per USPSA Rules





CM 20-02

Deja Vu

Scoring: Comstock course of fire

Targets: 6 USPSA cardboard targets

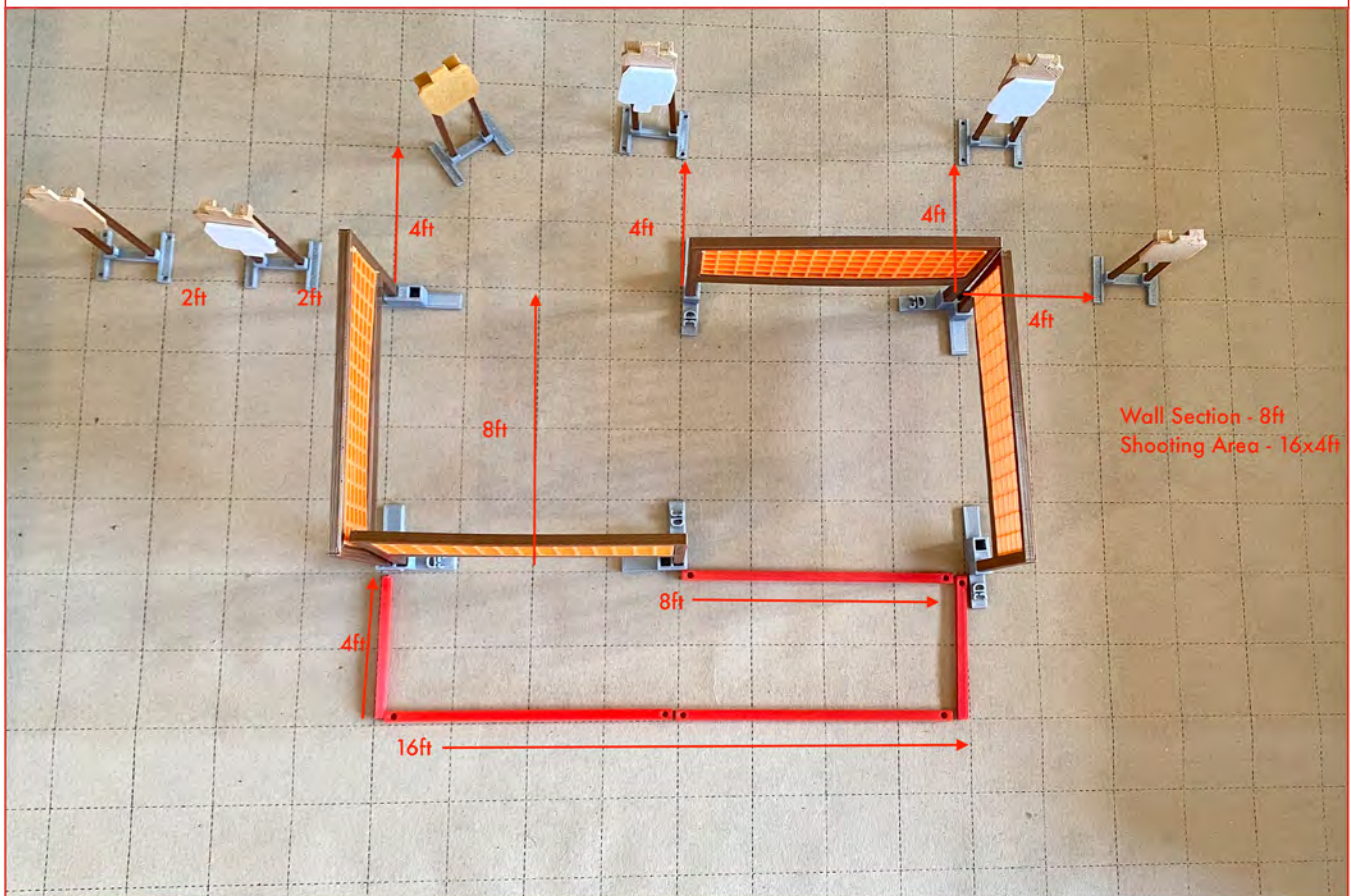
Rounds: 12

Condition: Loaded and holstered

Start Position: Standing anywhere in shooting area, wrists below belt. PCC stock on belt generally downrange

The start is audible

Procedure: Engage targets from within the shooting area.



SETUP NOTES

Targets are 5' to top of target.

No Shoot inverted at 5 inches below A zone perf.