



MIRROR

Stage1

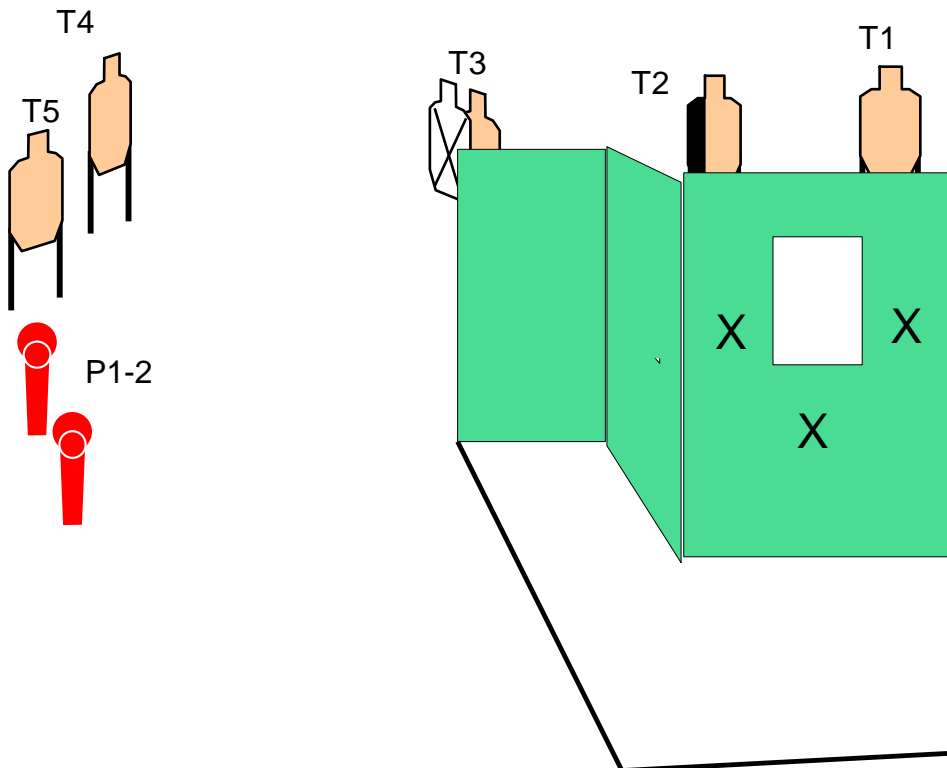
Course Designer: MATT MCMAHON

START POSITION: Standing in front of port, hands flat palms down on X's, PCC muzzle touching mark butt of stock touching belt

GUN READY CONDITION: Handgun loaded and holstered. PCC loaded safety on

STAGE PROCEDURE: Upon start signal, engage targets as required to score.

SCORING: Comstock, 12 rounds, 60 points
TARGETS: 5 IPSC, 2 COLT SPEED STEEL
SCORED HITS: Best 2 per paper, KD steel = 1A
START-STOP: Audible - Last shot
RULES: USPSA current edition





RIRROM

Stage 2

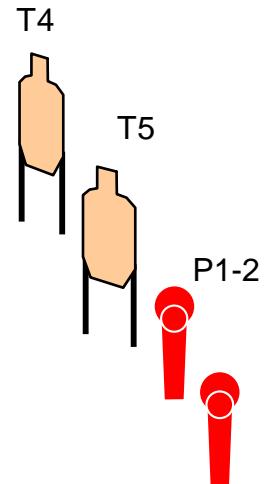
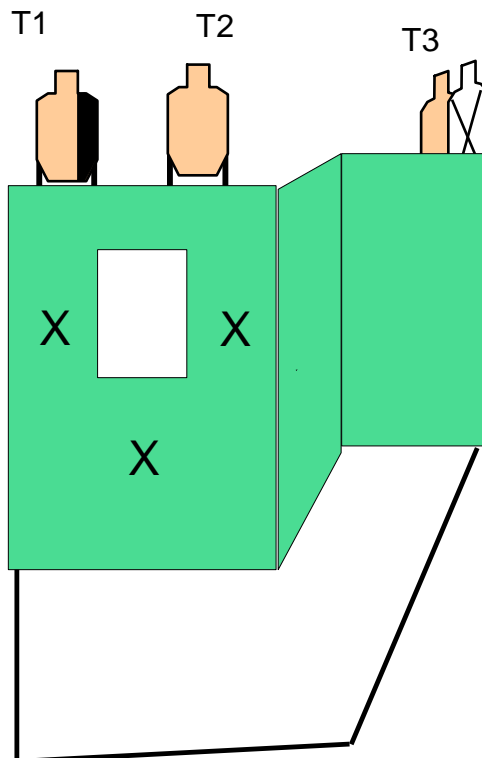
Course Designer: MATT MCMAHON

START POSITION: Standing in front of port, hands flat palms down on X's, PCC muzzle touching mark butt of stock touching belt

GUN READY CONDITION: Handgun loaded and holstered. PCC loaded safety on

STAGE PROCEDURE: Upon start signal, engage targets as required to score.

SCORING: Comstock, 12 rounds, 60 points
TARGETS: 5 IPSC, 2 COLT SPEED STEEL
SCORED HITS: Best 2 per paper, KD steel = 1A
START-STOP: Audible - Last shot
RULES: USPSA current edition



FASTER

RULES: Practical Shooting Handbook, Latest Edition **COURSE DESIGNER:** MATT MCMAHON

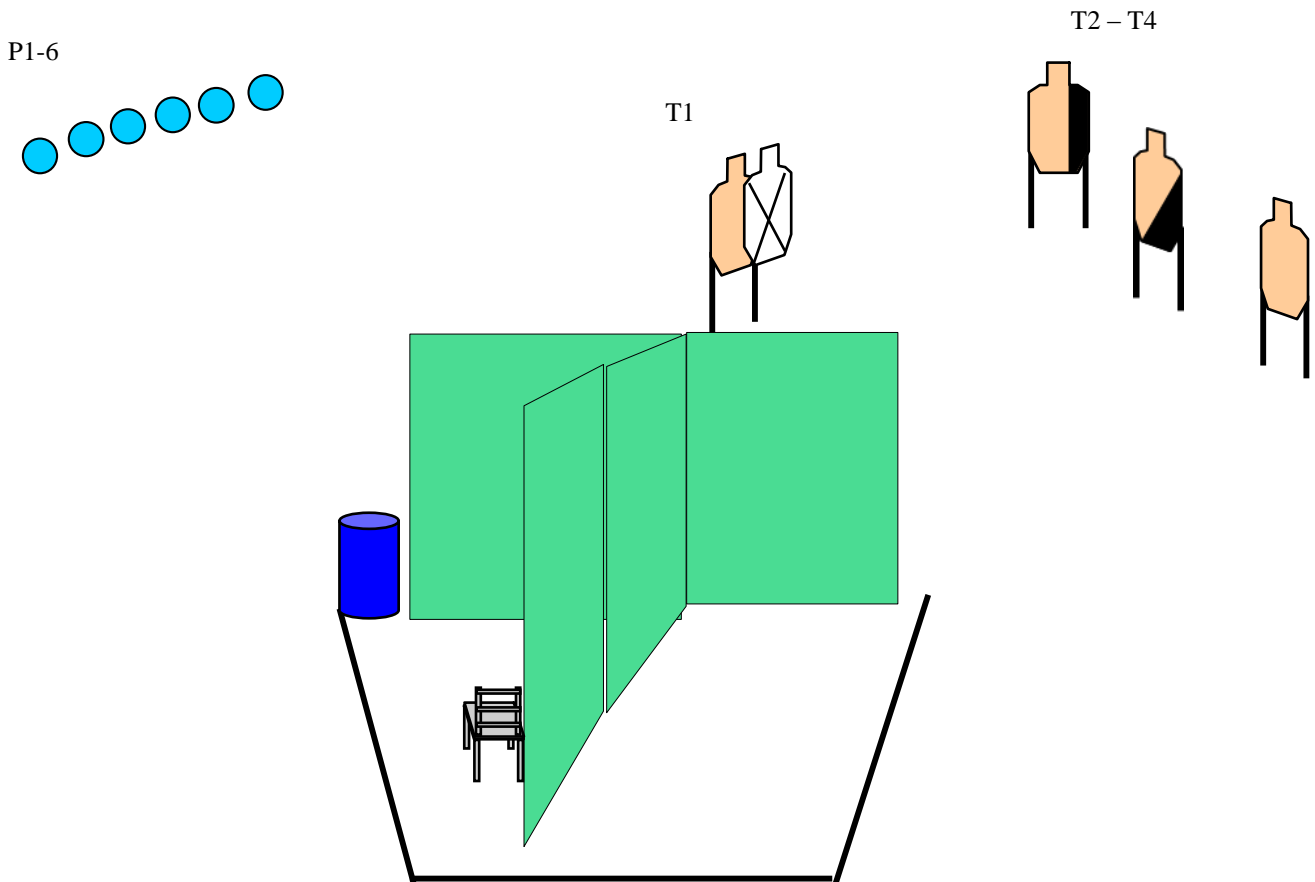
START POSITION: SITTING IN CHAIR HANDS ON KNEES, LOADED HANDGUN/PCC ON BARREL

STAGE PROCEDURE

UPON START SIGNAL RETRIEVE GUN FROM BARREL AND ENGAGE TARGETS AS REQUIRED TO SCORE.

SCORING

SCORING: COMSTOCK, 14 rounds, 70 points
TARGETS: 4 METRIC, 6 PLATES
SCORED HITS: Best 2 per IPSC
START-STOP: Audible - Last shot
PENALTIES: Procedural. -10
No-shoot hit. -10
Extra shot. -10
Extra hit. -10
Miss. -10



SETUP NOTES:

RO NOTES:



SWING THIS

Stage 4

Course Designer: MATT MCMAHON

START POSITION: HANDS FLAT ON TOP OF BARREL PALMS DOWN, GUN LOADED ON TOP OF BARREL. PCC SAME.

STAGE PROCEDURE: Upon start signal, engage targets as required to score. PP1 activates swinger T3, PP3 activates maxtrap T4 which is a disappearing target.

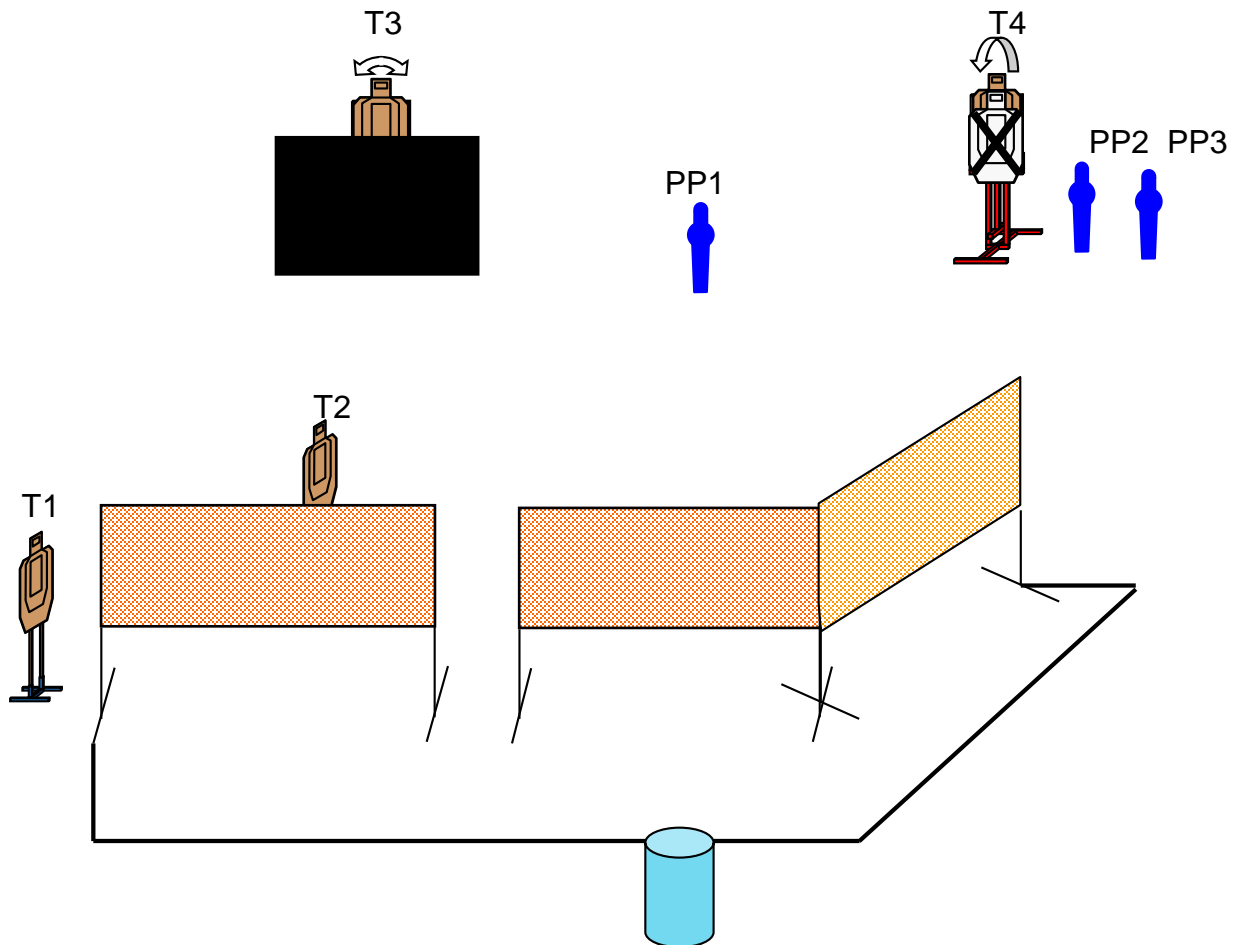
SCORING: Comstock, 11 rounds, 55 points

TARGETS: 4 IPSC, 3 PP

SCORED HITS: Best 2 per paper, KD steel = 1A

START-STOP: Audible - Last shot

RULES: USPSA current edition





SIDE SADDLE

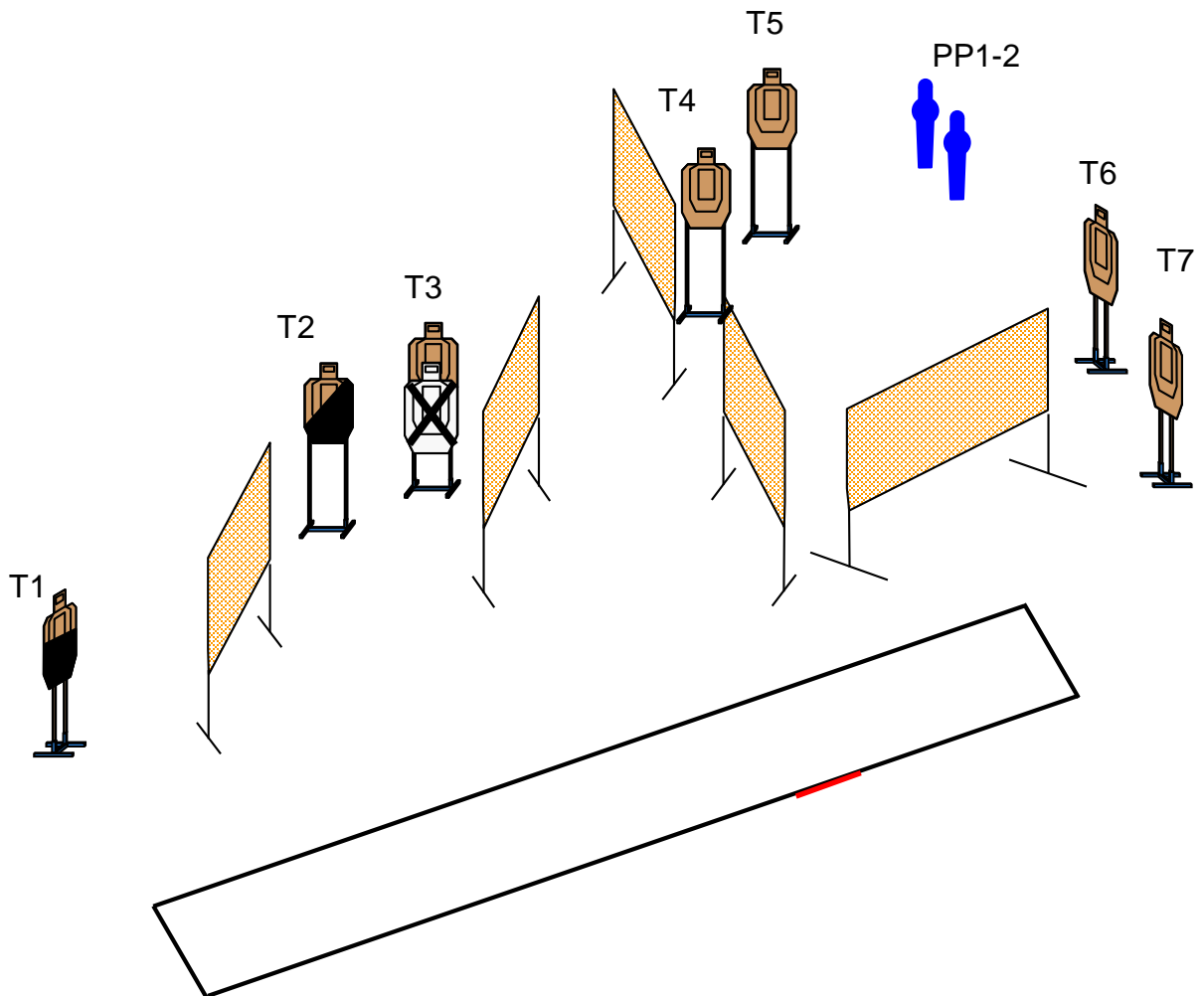
Stage 5

Course Designer: Matt McMahon

START POSITION: Standing outside FFZ with toes touching read marks, gun loaded and holstered. PCC start is the same with butt of stocking touching belt, muzzle pointing directly down range.

STAGE PROCEDURE: Upon start signal, engage targets as required to score.

SCORING: Comstock, 16 rounds, 80 points
TARGETS: 7 METRIC, 2 PP
SCORED HITS: Best 2 per paper, KD steel = 1A
START-STOP: Audible - Last shot
RULES: USPSA current edition





SIDE SIDE

Stage 6

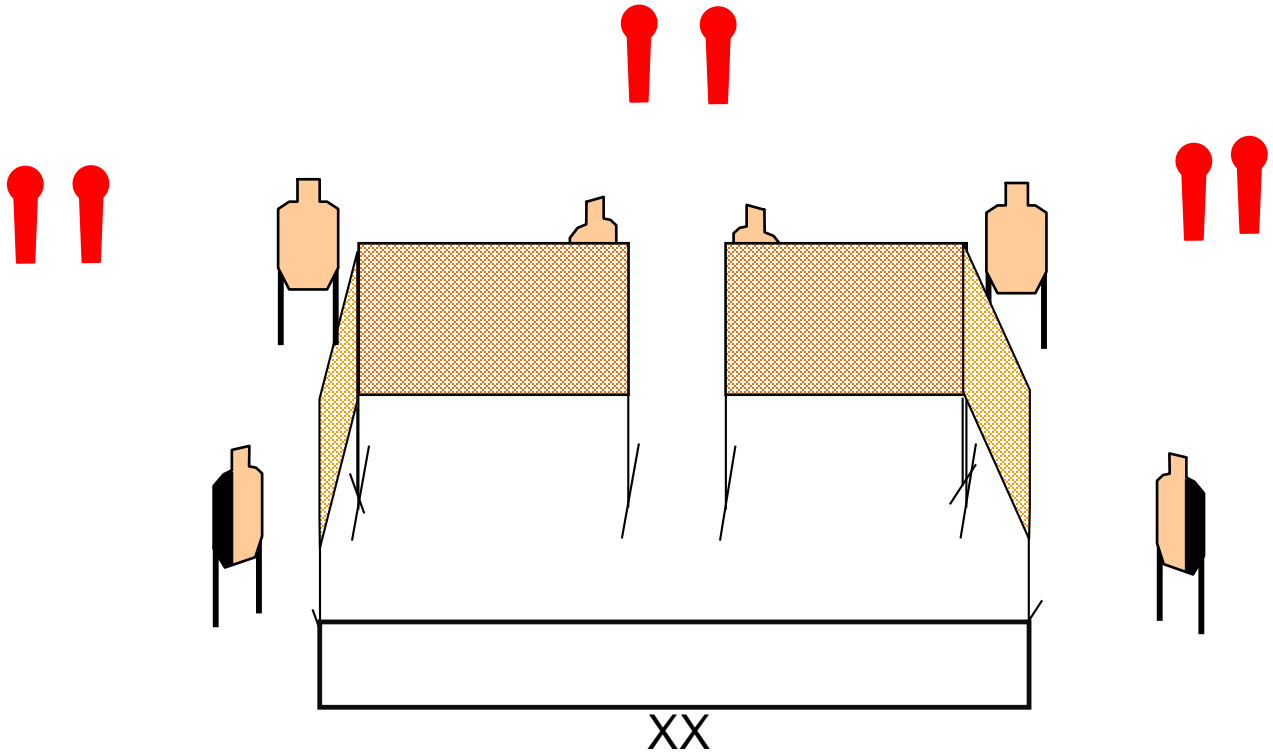
Course Designer: MATT MCMAHON

START POSITION: STANDING TOES TOUCHING XX'S FACING DOWN RANGE WRISTS BELOW BELT. PCC STOCK TOUCHING BELT MUZZLE POINTING DOWN RANGE.

GUN READY CONDITION:. HANDGUN LOADED AND HOLSTERED, PCC LOADED SAFETY ON

SCORING: Comstock, 18 rounds, 90 points
TARGETS: 6 IPSC, 6 COLT SPEED STEEL
SCORED HITS: Best 2 per paper, KD steel = 1A
START-STOP: Audible - Last shot
RULES: USPSA current edition

STAGE PROCEDURE: Upon start signal, engage targets as required to score.





RIGHT LEFT

Stage 7

Course Designer: MATT MCMAHON

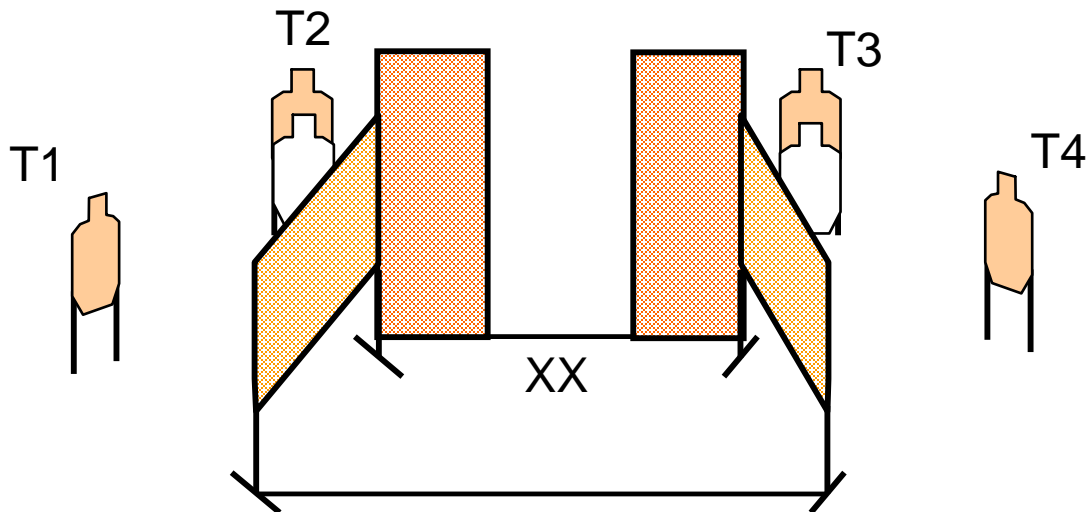
START POSITION: STANDING WITH TOES TOUCHING FORWARD XX'S FACING DOWNRANGE

GUN READY CONDITION: GUN IS UNLOADED AND HOLSTERED, PCC SAME WITH STOCK ON BELT MUZZLE POINTING DOWNRANGE

STAGE PROCEDURE: Upon start signal, engage targets as required to score.

SCORING: Comstock, 12 rounds, 60 points
TARGETS: 4 IPSC, 4 COLT SPEED PLATES
SCORED HITS: Best 2 per paper, KD steel = 1A
START-STOP: Audible - Last shot
RULES: USPSA current edition

P1-4





CM 99-11

El Presidente

RULES: USPSA Handgun Competition Rules, current edition **COURSE DESIGNER:** Jeff Cooper

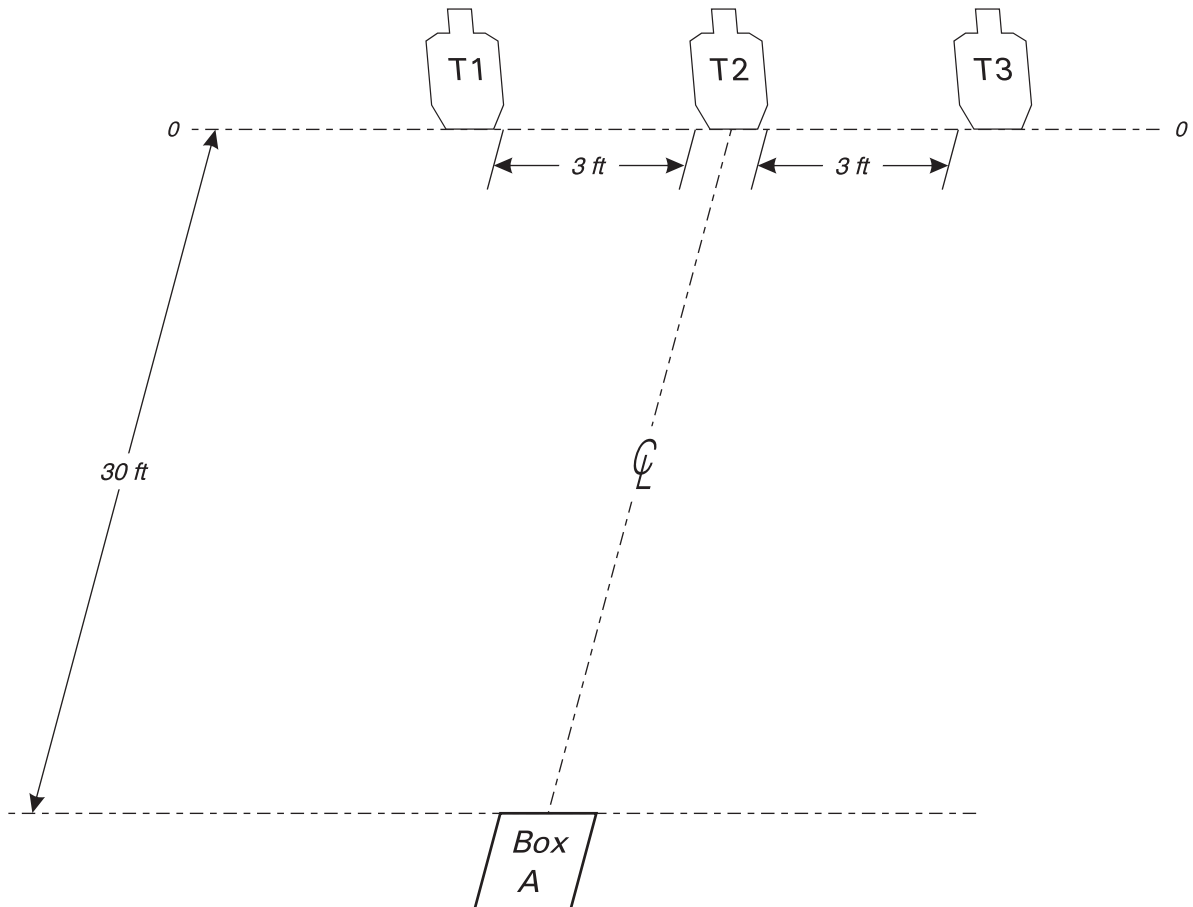
START POSITION: Standing in Box A, back to targets, toes of both feet against rear of fault line of Box A, both wrists above respective shoulders. Handgun is loaded and holstered as per ready condition in rule 8.1.1 and 8.1.2.

STAGE PROCEDURE

Upon start signal, turn then draw and from Box A engage T1-T3 with only two rounds per target, then perform a mandatory reload and from Box A engage T1-T3 with only two rounds per target.

SCORING

SCORING: Virginia Count, 12 rounds, 60 points
TARGETS: 3 Metric
SCORED HITS: Best 4/paper
START - STOP: Audible - Last shot
PENALTIES: Per current edition USPSA Handgun Competition Rules
Failure to perform mandatory reload will result in one procedural penalty per shot fired.



SETUP NOTES: Set targets to 5 feet high at shoulders. Shooting box is 3 feet by 3 feet.



CM 99-11 El Presidente

Written Stage Briefing

El Presidente is a 12-round, 60-point Virginia Count Classifier Course. There are three metric targets. The best four hits per target will score. The start signal is audible

Start Position: Standing in Box A, back to targets, toes of both feet against rear of fault line of Box A, both wrists above respective shoulders. Your gun will be loaded and holstered.

PCC start position is standing in Box A, facing downrange, stock on belt, muzzle downrange, loaded carbine held in both hands with safety on.

On the start signal, from Box A only, turn then draw and engage T1-T3 with only two rounds per target, make a mandatory reload, then engage T1-T3 with only two rounds per target.

PCC: No turn

